



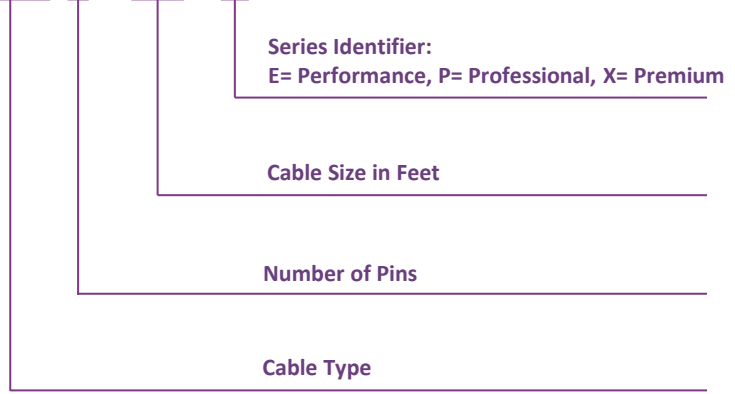
Part Number Reference Guide

2018

CABLE ASSEMBLIES

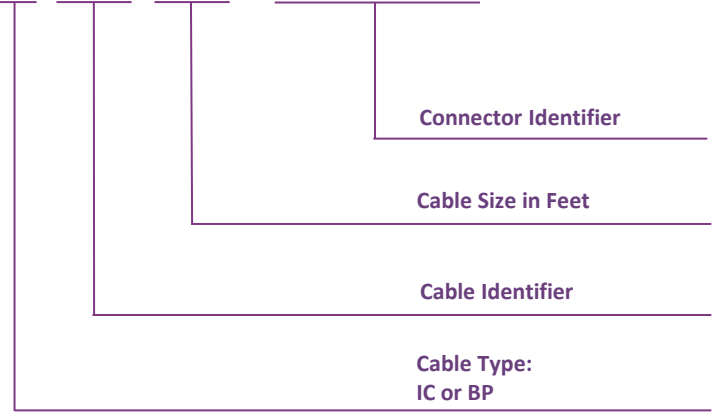
XLR & DMX Cables

IO-XLR3-XX-E



Instrument & Patch Cables

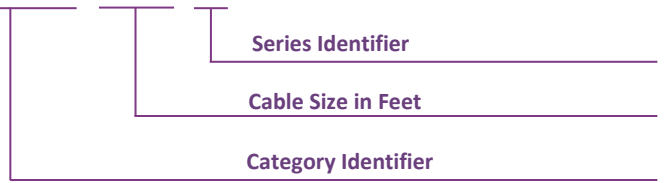
IO-IC109025-M2MBL



* Cables with right angle connectors are designated by "-R" for one right angle connector, and a "-2R" for 2 right angle connectors.

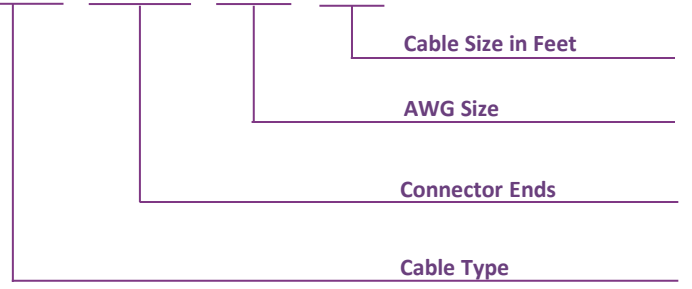
Network Cables

IO-CAT5-XX-P



Power Cables

IO-PRC-PTP-14-10



BULK WIRE

Audio & Control

IO-D22428-500SP

D for Data, A for Audio

2 for 2 Twisted Pairs

AWG Size

1 for Spiraled Shield, 2 for Braided Shield

Outer Diameter

Length in Feet

SP = Spool

IO-E4261S-5ECMR-1000B

E for Ethernet

4 Twisted Pairs

AWG Size

1 for Solid or 2 for Stranded

S = Shielded

5e = CAT 5e Cable, 6 = CAT 6 Cable

CMR = Riser Rated, P = Plenum Rated

Length in Feet

SP = Spool or B = Box

Network

CONNECTORS

XLR Connectors

IO - XLR3 - M - BK

Color, BK = Black

M = Male, F = Female

Number of Pins

Cable Type:
XLR or DMX

TRS & TS Connectors 1/4" Connectors

IO - T3MCH

Housing Color, CH = Chrome, BL = Blue, BK = Black

M = Male, F = Female

Number of Pins

Series Identifier

Ethernet Connectors

IO - EC - L

Series Identifier, L or X

Type Identifier

Power Connectors

IO - PRC3FA

A = Blue, B = Gray

F = Female, M = Male

Number of Poles

Type Identifier